

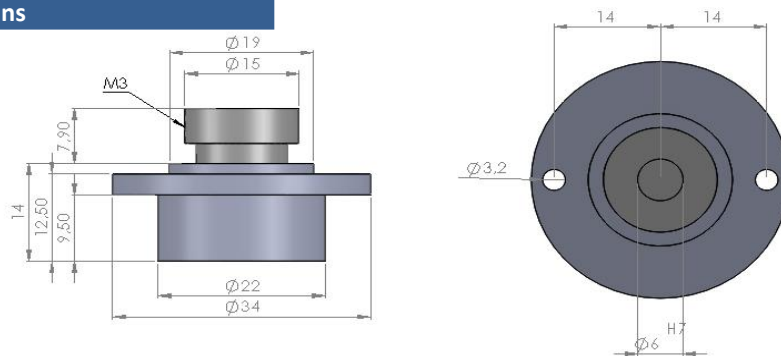


- Compact Dimensions
- Contactless Measurement
- Very Long Life
- High Accuracy
- Low Noise Level on Output Signal

Connections	
- Supply	Black
+ Supply	Red
Output Signal	Yellow

Technical Specification	
Power Supply	5 VDC $\pm 0,5V$ 24 VDC $\pm 6V$
Output Signal	Ratiometric (Supply Voltage 5V $\pm 0,5V$) Load $\geq 1K\Omega$ 0,1 ... 10 V (Supply Voltage 24V $\pm 6V$) Load $\geq 1K\Omega$
Measuring Range	0...30, 0...360 (10° steps)
Shaft	Stainless Steel
Body	Aluminum
Reverse Voltage	Yes, only feeder
Maximum operational speed	120 rpm
Response Frequency	250 Hz
Accuracy	% 0.5
Cable Length	500 mm
Temperature Range	-25 to +85°

Mechanical Dimensions



Order Code

Model

RCS 2200

360

Power Supply

TTL : 5VDC $\pm 0,5V$
PP : 24 VDC $\pm 6V$

PP

Cable Length

0,5M : 0,5 Metre

0,5M

Angle

360 : 0...360°
30 : 0...30°

Output Signal

V : 0...10V



Atek Sensor Technology A.S.